

980nm High Power Polarization Insensitive Isolator



Features

Low Insertion Loss
High Isolation
High Power Handling
High Return Loss

Applications

Fiber Laser
Instrumentation
Fiber Amplifier
Lab Research

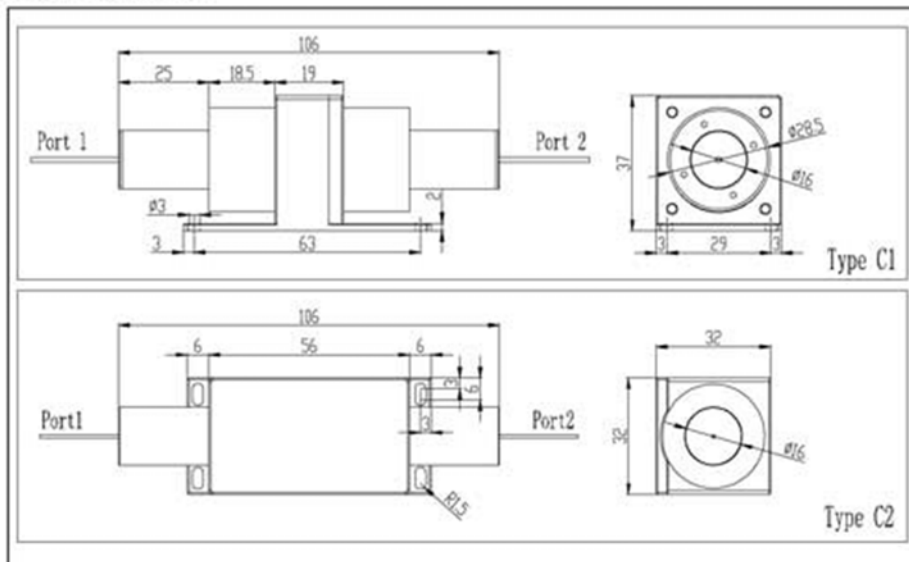
Specifications

Parameters	Unit	Values	
		Grade P	Grade A
Grade		Grade P	Grade A
Center Wavelength (λ_c)	nm	980	
Max. PDL	dB	0.1	0.15
Typ. Peak Isolation	dB	30-35	28-32
Min. Isolation at 23°C	dB	25	23
Typ. Insertion Loss at 23°C	dB	0.8	1.0
Max. Insertion Loss at 23°C	dB	1.2	1.4
Min. Return Loss (input/output)	dB	50/50	45/45
Max. Optical Power (CW)	W	1	
Max. Tensile Load	N	5	
Fiber Type		HI 1060 Fiber	
Operating Temperature	°C	0 to +60	
Storage Temperature	°C	-20 to +75	

*Above specifications are for device without connector.

*For devices with connectors, IL will be 0.3dB higher, RL will be 5dB lower.

Package Dimensions



Ordering Information

HPIL-①①-②③-④④-⑤⑤-⑥

①①: Wavelength

98 - 980nm

SS - Specify

②: Package Type

C1 - Type C1

C2 - Type C2

③: Grade

P - Premium Grade

A - A Grade

④④: Connector Type on Port 1 & 2

1 - FC/UPC

2 - FC/APC

3 - SC/UPC

4 - SC/APC

N - None

S - Specify

⑤⑤: Fiber Type on Port 1 & 2

L - 900um Loose Tube

C - 3mm Loose Cable

S - Specify

⑥: Fiber Length

1 - 1.0m

S - Specify