



1060nm Broadband High Power Polarization Insensitive Isolator

Features

- Low Insertion Loss
- High Isolation
- High Power Handling
- High Return Loss

Applications

- Fiber Laser
- Instrumentation
- Fiber Amplifier
- Lab Research

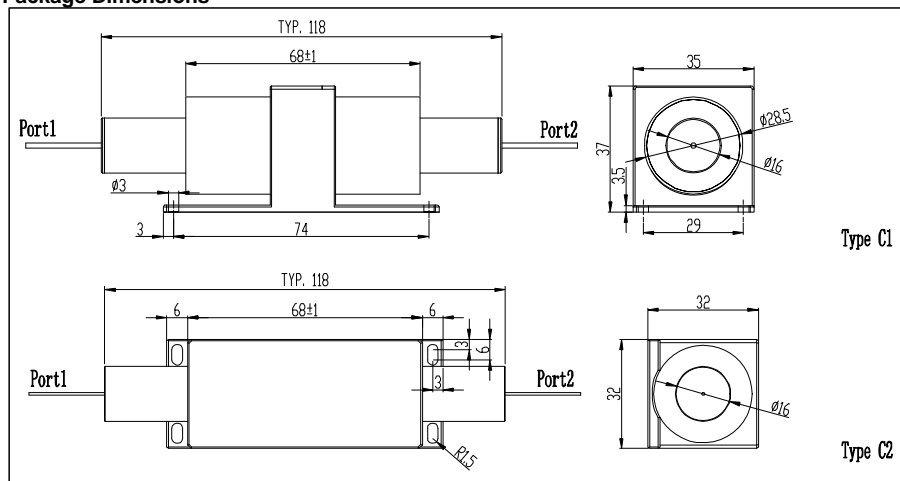
Specifications

Parameters	Unit	Values
Center Wavelength (λ_c)	nm	1060
Operating Wavelength Range	nm	± 50
Max. PDL at 23°C, λ_c	dB	0.15
Typ. Isolation	dB	30~35
Min. Isolation at 23°C	dB	26
Typ. Insertion Loss at 23°C, λ_c	dB	1.0
Max. Insertion Loss at 23°C	dB	1.5
Min. Return Loss (input/output)	dB	50/50
Max. Optical Power (CW)	W	1,3,5,10,20 or specify
Max. Tensile Load	N	5
Fiber Type		HI 1060 Fiber or LMA fiber
Operating Temperature	°C	-5 to +50
Storage Temperature	°C	-20 to +75

*For pulse applications, pls discuss with Optizone Technology.

*The actual package dimensions may be slightly different from that shown in below drawing, for accurate dimensions please contact Optizone.

Package Dimensions



Ordering Information

BI-①①-②-③③-④④-⑤⑤-⑥

①①: Wavelength

- 06 - 1060nm
- SS - Specify

②: Package Type

- C1 - Type C1
- C2 - Type C2

③③: Handling Power

- 01 - 1W
- 03 - 3W
- 05 - 5W
- 10 - 10W
- 20 - 20W
- S - Specify

④④: Connector Type on Port 1 & 2

- N - None
- S - Specify

⑤⑤: Fiber Jacket on Port 1 & 2

- B - 250um Bare Fiber
- L - 900um Loose Tube
- C - 3mm Loose Cable
- S - Specify

⑥: Fiber Length

- 1 - 1.0m
- S - Specify

