



# Specification Review Data Sheet

Spec Review No.: SR 0902011A

Date: Feb.5, 2009

Customer:

Customer P/N:

Description: PM Band Pass Filter, 1550nm, 5nm

Optizone P/N: PMBPF-1550-5-13.5-NN-BB-1

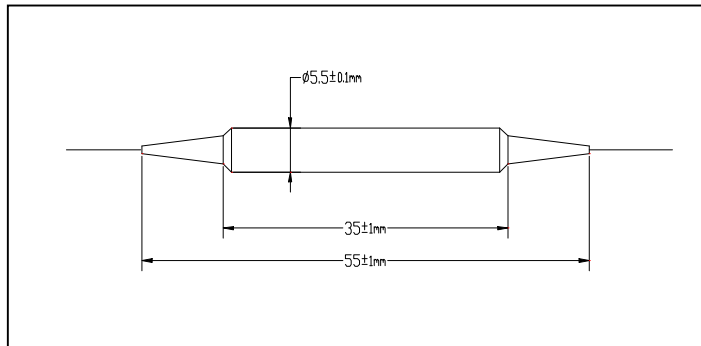
## Specifications

Parameters	Unit	Values
Center Wavelength	nm	1550+/-0.2
Min. Pass Band Width @0.5dB	nm	5.0
Max. Insertion Loss over 1550.0+/-2.5nm	dB	0.8
Max. Stop Band width@-25dB	nm	13.5
Min. ER	dB	20
Min. Optical Return Loss	dB	50
Max. Optical Power(CW)	mW	500
Max. Tensile Load	N	5
Fiber Type	-	PM 1550 panda fiber
Operating Temperature	°C	0 to +70
Storage Temperature	°C	-40 to +85

\*Above specifications are for device without connector.

\*For devices with connectors, IL will be 0.3dB higher, RL will be 5dB lower, ER will be 2dB lower.

## Package Dimensions



## Ordering Information

**PMBPF-(1)(1)(1)(1)-(2)(2)-(3)(3)(3)-(4)(4)-(5)(5)-(6)**

①①①①: Center Wavelength

1550 - 1550nm

SSSS - Specify

②②: Pass Band Width

5 - 5.0nm

SS - Specify

③③③: Stop Band Width

13.5 - 13.5nm

SS - Specify

④④: Connector Type

1 - FC/UPC

2 - FC/APC

3 - SC/UPC

4 - SC/APC

N - None

S - Specify

⑤⑤: Fiber Jacket

B - 250um Bare Fiber

L - 900um Loose Tube

S - Specify

⑥: Fiber Length

1 - 1.0 m

S - Specify