

# Bandpass Filter



## Features

High Isolation  
High Extinction Ratio  
High Return Loss  
Excellent Environmental Stability

## Applications

Fiber Lasers  
Fiber Amplifiers  
Research

## Specifications

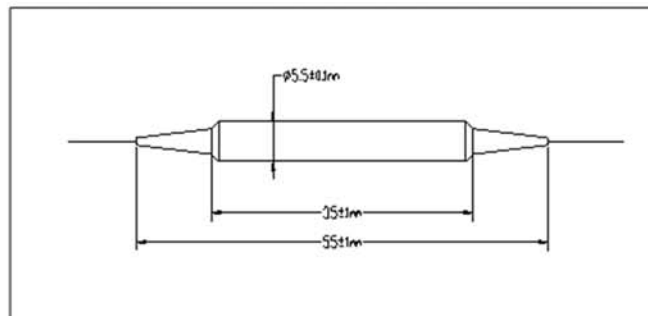
Parameters	Unit	Values
Nominal Center Wavelength	nm	1064
Max. Insertion Loss over CWL $\pm$ 2.5nm	dB	0.9
Max. Pass Bandwidth @0.5dB	nm	5
Max. Stop Bandwidth @25dB	nm	22
Min. ER	dB	22
Min. Optical Return Loss	dB	50
Max. Optical Power(CW)	mW	500
Max. Tensile Load	N	5
Fiber Type		PM 980 Panda Fiber
Operating Temperature	°C	-5 to +70
Storage Temperature	°C	-40 to +85

\*Above specifications are for device without connector.

\*For devices with connectors, IL will be 0.3dB higher, ER will be 2dB lower and RL will be 5dB lower.

\*The PM fiber and the connector key are aligned to the slow axis.

## Package Dimensions



## Ordering Information

**PMBPF-①①①①-②②-③③-④④-⑤⑤-⑥**

①①①①: Center Wavelength

1064 - 1064nm

SSSS - Specify

③③: Stop Band Width

22 - 22nm

SS - Specify

⑤: Fiber Jacket

B - 250um Bare Fiber

L - 900um Loose Tube

C - 3mm Cable

S - Specify

②②: Pass Band Width

05 - 5nm

SS - Specify

④: Connector Type

1 - FC/UPC

2 - FC/APC

3 - SC/UPC

4 - SC/APC

N - None

S - Specify

⑥: Fiber Length

1 - 1.0 m

S - Specify