

High Power In-line Polarizer, 1064 nm



Features

High Extinction Ratio
Low Insertion Loss
High Return Loss

Applications

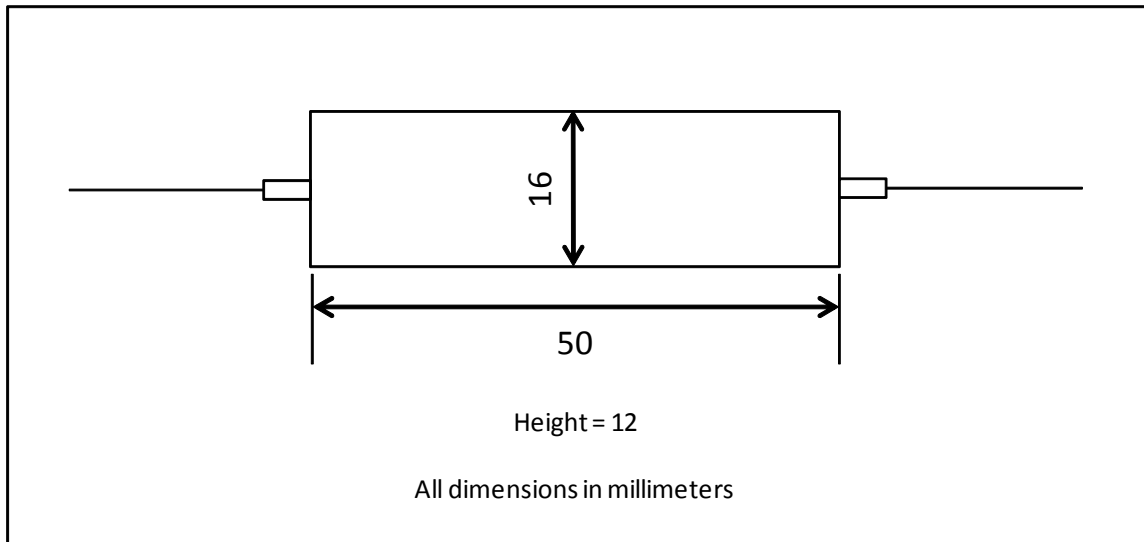
Fiber Lasers
Test Instrumentation
Research
Fiber Sensors

Specifications

Parameters	Unit	Values
Center Wavelength	nm	1064
Operating Wavelength Range	nm	±20
Typ. Insertion Loss at 23°C	dB	0.4
Max. Insertion Loss at 23°C	dB	0.6
Min. Return loss	dB	50
Typ. Extinction ratio at 23°C	dB	27
Min. Extinction ratio at 23°C	dB	25
Max. Optical Power (CW)	W	3, or Specify
Max. Tensile Load	N	5
Fiber Type		PM Panda Fiber or HI 1060 or Specify
Operating Temperature	°C	-5 to +70
Storage Temperature	°C	-40 to +85

*The PM fiber is aligned to the slow axis.

Package Dimensions



Ordering information

HILP-①①-②-③③-④④-⑤

①①: Wavelength
06 - 1064nm

②: Handling Power
3 - 3W
S - Specify

③③: Fiber Jacket on Port 1 & 2
B - 250um Bare Fiber
L - 900um Loose Tube
S - Specify

④④: Fiber Type on Port 1 & 2
1 - PM Panda Fiber
2 - HI 1060 Fiber
3 - DC PM 10/125 Fiber, N.A.0.08
S - Specify

⑤: Fibre Length
1.0 - 1.0m
S - Specify