

# Polarization Maintaining Filter Coupler (2 x 2)



## Features

High Extinction Ratio  
High Return Loss  
Low Cost

## Applications

Optical Amplifier  
Fiber Lasers  
Testing Systems

## Specifications

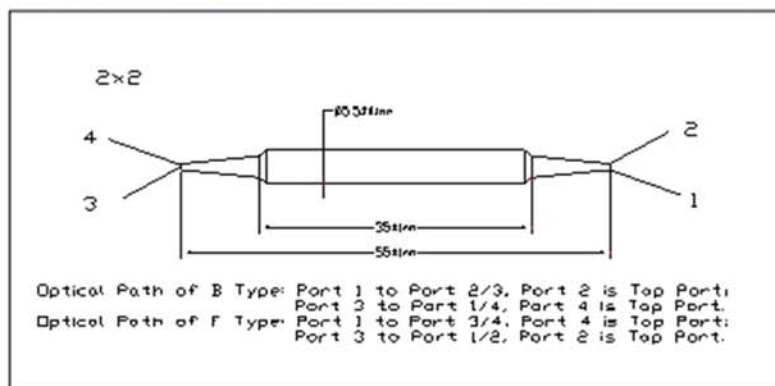
Parameters	Unit	Values
Center Wavelength	nm	1064
Operating Wavelength Range	nm	± 20
Coupling Ratio (for Port 2 & 4 only)	%	1±0.2, 2±0.4, 5±1.0, 10 & 50 or Specify
Min. Return Loss	dB	50
Min. Extinction Ratio	dB	20
Max. Excess Loss	dB	1.2
Max. Uniformity (for 50/50 only)	dB	0.8
Max. Optical Power (CW)	mW	500
Max. Tensile Load	N	5
Fiber Type		PM 980 Panda Fiber or HI 1060 Fiber on Tap Port (Port 2 & 4)
		PM 980 Panda Fiber on Input & Output Port (Port 1 & 3)
Operating Temperature	°C	-5 to +70
Storage Temperature	°C	-40 to +85

\*Above specification are for devices without connector.

\*For devices with connectors, IL will be 0.3dB higher, RL will be 5dB lower, ER will be 2dB lower.

\*The PM fiber and the connector key are aligned to the slow axis.

## Package Dimensions



## Ordering Information

PMFCH-①①-②-③③-④-⑤⑤⑤⑤-⑥⑥⑥⑥-⑦-⑧

①①: Wavelength

06 - 1064nm

SS - Specify

②: Port

2 - 2x2

③③: Coupling Ratio

01 - 1/99

02 - 2/98

05 - 5/95

10 - 10/90

50 - 50/50

SS - Specify

④: Axis Alignment

F - Fast Axis Blocked

B - Both Axis Working

⑤⑤⑤⑤: Connector Type on Port 1, 2, 3 & 4

1 - FC/UPC

2 - FC/APC

3 - SC/UPC

4 - SC/APC

N - None

S - Specify

⑥⑥⑥⑥: Fiber Jacket on Port 1, 2, 3 & 4

B - 250um Panda Fiber

L - 900um Loose Tube

S - Specify

⑦: Fiber Type on Tap Port

H - HI 1060 Fiber

P - PM Panda Fiber

S - Specify

⑧: Fiber Length

0.8 - 0.8m

S - Specify